

Installation and Setup Guide

GENERAL INFORMATION

The Communication Modules allow the PROHP-EU Control Panel to communicate with the Central Station via the cellular radio network. The PROLTE-EU Series includes the following models:

- PROLTE-EU
- PROLTES-EU
- PROLTE-M-EU
- PROLTES-M-EU

The **PROLTE Series** wireless communications module is intended to provide compatible PROHP-EU Control Panels with a cellular connection with the central monitoring station. The module connects directly to the Control Panel and is powered via the Control Panel's connection.

Note: Installation shall be done in accordance with local regulations.

INSTALLING THE MODULE

Install the PROLTE Series module as follows (figure 1):

Note: Ensure that all electrical power is removed from the control before installing the module

1. If the Control Panel is not powered up proceed to step 3.
2. If the Control Panel is powered up:
 - Disarm the system and wait 30-60 seconds.
 - Unplug the power supply.
 - Remove the screw that secures the control to the wall.
 - Remove the control from the wall mounting bracket.
 - Disconnect the battery.
3. For PROLTES-EU / PROLTES-M-EU modules only, insert SIM card.
For more detailed procedure, see INSTALLING THE SIM CARD.
4. Insert the PROLTE Series module into the slot on the left side of the Control Panel as shown in Figure 1 and ensure the receptacle is securely seated on the edge connector.
5. Secure the module to the Control Panel with screw [A].
6. If no other modules need to be installed:
 - Connect the battery.
 - Install the Control Panel on the wall.
 - Connect the power supply to a 230VAC outlet.

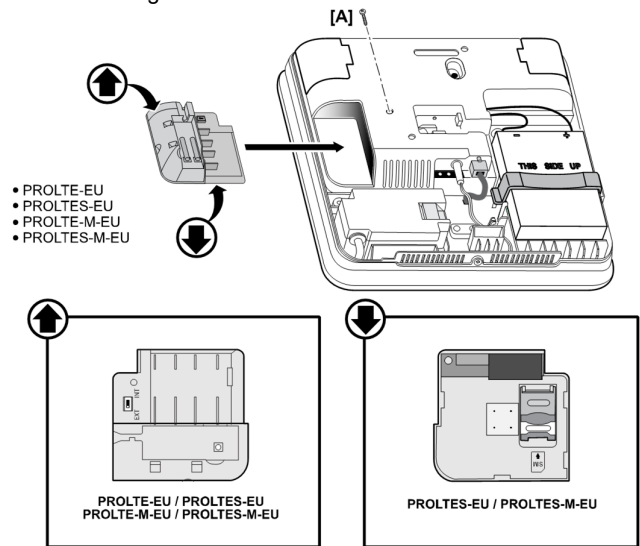


Figure 1 PROLTE-EU Series

INSTALLING THE SIM CARD (PROLTES-EU / PROLTES-M-EU modules only)

Install the PROLTES-EU / PROLTES-M-EU SIM Card as follows (figure 2):

1. Slide the metal lock to unlock the SIM card holder.
2. Open the hinged SIM card holder.
3. Fully insert the SIM card into the slot in the SIM card holder.
4. Close the hinged SIM card holder and slide the metal lock to secure it closed.

Note: May need to apply downward pressure on the SIM card to slide the lock.

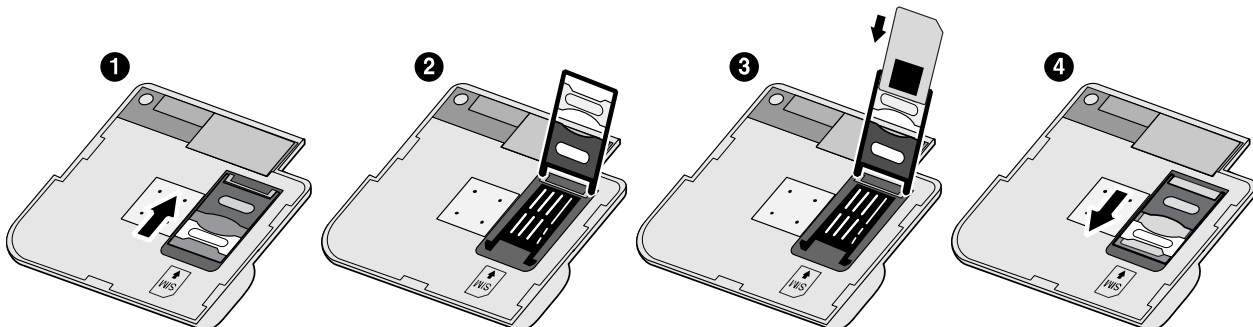


Figure 2 PROLTES-EU / PROLTES-M-EU SIM Card Install

PROGRAMMING

The module requires a router and internet service for Wi-Fi connection.

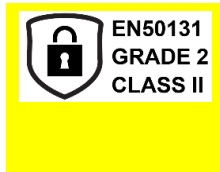
Note: For detailed programming instructions refer to the Installation Instructions for the Control Panel with which this device is used.

1. Programming associated with the PROLTE and PROLTES Series modules is accomplished as part of the Control Panel programming. Refer to the Control Panel installation and setup guide for additional information.
2. When programming is complete, perform a Communications Test.

SPECIFICATIONS

GSM Fault Detection	On network failure, transmission on dedicated channel
Dimensions / Weight	72 mm (H) x 72 mm (L) x 17 mm (W) / 45 g
Environmental	
Operating Temperature	-10°C ~ +55°C
Storage Temperature	-20°C ~ +70°C
Humidity	95% relative humidity (duration: 21 days)
Current Drain	<ul style="list-style-type: none">• Average: 30mA• Peak: 700mA (LTE)
Antenna	Integrated
SIM Card	2FF format
SPT Classification	Type Z
ATS Categories	DP2 to SP3

Bands:	PROLTE-EU / PROLTES-EU <ul style="list-style-type: none">• GSM900 and DCS1800 for 2G• WCDMA Bands: BI, BIII, and BVIII for 3G• LTE Bands: B1, B3, B7, B8, B20, and B28 for 4G	PROLTEM-EU / PROLTESM-EU <ul style="list-style-type: none">• GSM900 and DCS1800 for 2G• LTE-M Bands: B3, B8, B20, B28
Power	PROLTE-EU / PROLTES-EU <p>2G (GSM):</p> <ul style="list-style-type: none">• Low Band Class 4 (2W, 33dBm) / Class E2 (0.5W, 27dBm@EDGE)• High Band Class 1 (1W, 30dBm) / Class E2 (0.4W, 26dBm@EDGE) <p>3G (WCDMA):</p> <ul style="list-style-type: none">• Class 3 (0.25W, 24dBm) <p>4G (FDD and TDD)</p> <ul style="list-style-type: none">• Class 3 (0.2W, 23dBm@1RB)	PROLTEM-EU / PROLTESM-EU <ul style="list-style-type: none">• GSM/GPRS: 33 dBm (Power Class 4)• LTE: 23 dBm (Power Class 3)



(XXXX-XXXXXX)
www.cnpp.com
www.marque-nf.com



The product should not be disposed of with other household waste. Check for the nearest authorized collection centers or authorized recyclers. The correct disposal of end-of-life equipment will help prevent potential negative consequences for the environment and human health.

This system must be checked by a qualified technician at least once each year.

Any attempt to reverse-engineer this device by decoding proprietary protocols, de-compiling firmware, or any similar actions is strictly prohibited.

REFER TO THE INSTALLATION INSTRUCTIONS FOR THE CONTROL WITH WHICH THIS DEVICE IS USED, FOR DETAILS REGARDING LIMITATIONS OF THE ENTIRE ALARM SYSTEM.

SUPPORT & WARRANTY INFORMATION

For the latest documentation, warranty, and support, please go to: www.resideo.com



Sécurité Communications SAS (SECOM)
1198, Avenue du Docteur Maurice Donat
06250 Mougins - FRANCE



Ademco 1 Ltd., 200 Berkshire Place
Winnersh Triangle, Berkshire,
RG41 5RD – UNITED KINGDOM

PROLTE-EU



R800-26665B 01/22 Rev B

resideo

© 2022 Resideo Technologies, Inc.
www.resideo.com