

Installation and Setup Guide

The PROSIXSMOKE-EU is a wireless smoke detector intended for use with Control Panels that support SiX™ series devices.

NOTE: Installation shall be done in accordance with local regulations.

To remove the detector cover from the mounting bracket, turn the top of the detector 15 degrees counterclockwise and separate the cover from the mounting bracket.

ENROLLING

You must enroll the device in the Control Panel. Set the Control Panel in the Programming Mode and when prompted, perform the following:

Note: For detailed programming instructions refer to the Installation Instructions for the Control Panel with which this device is used.

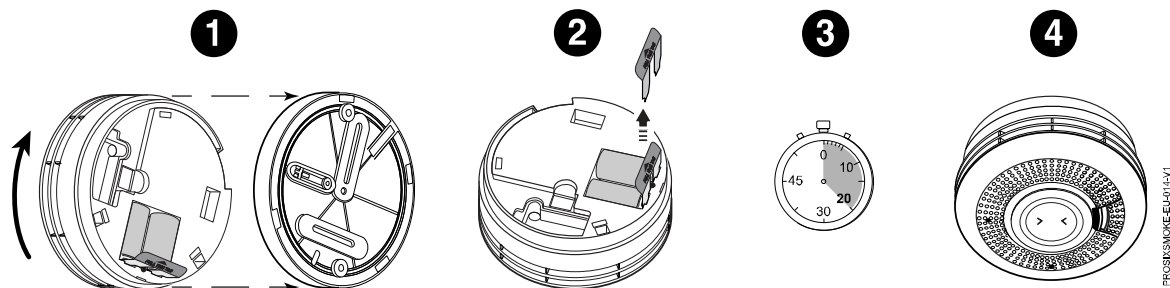
1. Remove the detector cover from the mounting bracket (turn cover 15 degrees counterclockwise).
2. Carefully remove (and discard) the battery tab to activate the device and begin the enrollment process for the smoke zone. (If already powered, press the Test button to enroll).
3. The Green LED flashes rapidly during enrollment (up to about 20 seconds*). The detector sends data and the Control Panel registers the detector.

***NOTE:** Enrollment time varies depending on the signal strength between the device and the panel. Enrollment is confirmed when the Green LED is ON for 3 seconds and the device chirps.

4. Enrollment is confirmed when the green LED is on for 3 seconds.
5. Select Save and enable/disable the smoke services as desired.

If the detector is not successfully registered during the enrollment period, the LED will go out and the device will be turned off. Activate the tamper or press the test button to restart the enrollment process.

NOTE: After enrolled, the device cannot be used with another Control Panel until it is removed from the current panel. Refer to the panel instructions.



PROGRAMMING

Consult the Control Panel instructions to program the device in the system. This detector reports the following signals to the panel:

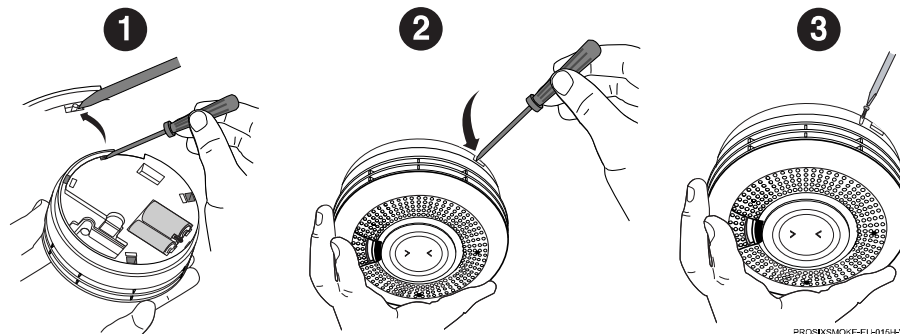
- Smoke detection: Alarms sounds when smoke is detected.
- Percentage of obscuration (smoke or dirt in the detector).
- Tamper mode: The detector can be made tamper-proof to prevent unauthorized removal from its base.
- LED Indicator shuts off after 10 minutes to conserve battery life.
- One-Go-All-Go: all smoke detectors in the system that are programmed as one-go-all-go devices will sound on alarm.
- Supervision: according to panel configuration.

TAMPER-PROOFING

The detector can be made tamper-proof to prevent unauthorized removal from its base as follows:

1. Break off the small pillar from the base as shown.
This causes the detector to unlatch to the base.
2. Use a small screwdriver to release the catch (push catch towards the base) and twist the detector counterclockwise to remove.
3. If necessary, a tamper-proof screw can be added to prevent removal from the base.

Note: To remove the detector from the ceiling after it has been made tamper-proof without triggering an alarm, remove the screw first, and then twist off counterclockwise.



MOUNTING

Refer to the local regulations for detailed information on detector spacing, placement zoning, and special applications")

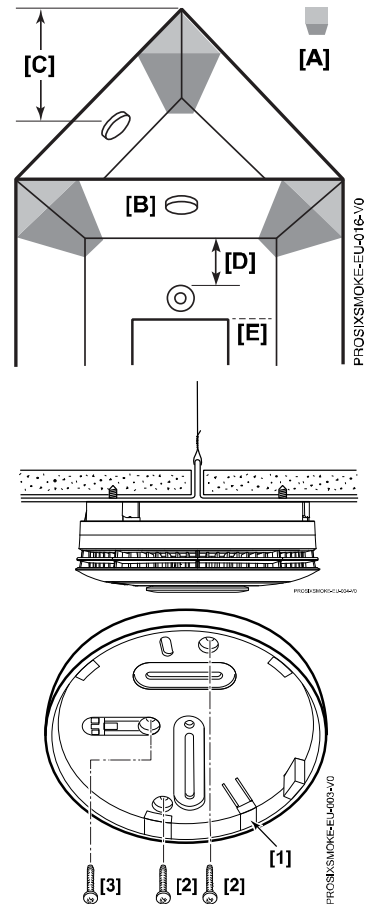
NOTE: Before mounting the detector permanently, conduct a sensor test (see the panel instructions) to verify adequate signal strength and adjust the device location and orientation as necessary.

The detector can be mounted on a ceiling or on a wall (if local ordinances permit).

- Hot smoke rises and spreads out, so a central ceiling position is the recommended location. The air is "dead" and does not move in corners, therefore the detector must be mounted away from any "Dead Air Space" corners [A].
- Mount the detector at least 30 cm from walls and corners [B].
- Mount the detector at least 60 cm from the apex of the ceiling [C].
- If ceiling mounting is impractical, smoke detectors may be mounted on a wall, provided that:
 - The top of the detector is between 15 and 30 cm below ceiling [D].
 - The bottom of the detector is above the level of any door opening [E].

IMPORTANT! Do not attach the detector to removable ceiling panels. Attach the detector across panel support.

1. Select a location and secure the rear mounting plate [1] to the ceiling or wall with two screws [2].
2. If necessary, install a tamper screw [3].



TESTING

The detector should be tested immediately after installation and at least once a year.

Recommended: To prevent unwanted alarms, notify the Central Station that the smoke detector system is undergoing maintenance before testing begins. Test Mode can be activated remotely from the Control Panel (see the panel instructions), or on-site by pressing the test switch.

Tests and testing methods:

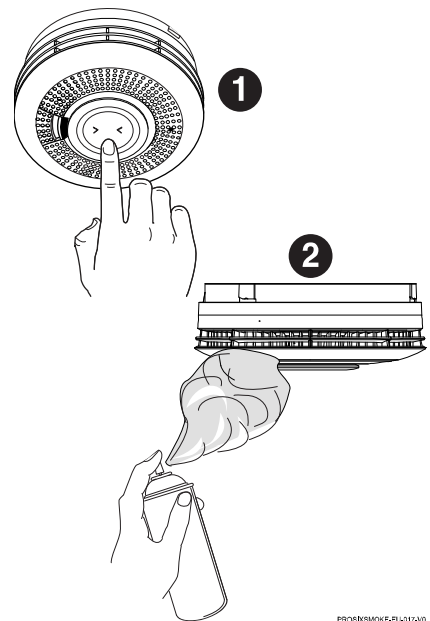
1. **Test Switch** – Press and hold the test button for 3 seconds to test the sounder and send a smoke and heat alarm to the Control Panel. The device will emit a temporal tone) to the Control Panel.
2. **Smoke Entry Test** (canned smoke*) - Follow the instructions on the can and spray smoke directly into the vent area. This will test the sounder and send a smoke alarm to the Control Panel.

* Use only locally-approved canned smoke.

Signal Strength - Signal strength information is sent with every communication to the Control Panel and is viewable through the AlarmNet 360™ cloud-based management platform (www.alarmpnet360.com).

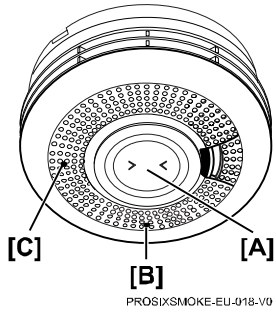
To silence the detector:

Press the test switch or disarm the system at the Control Panel. The detector sounds again after 5 minutes if the alarm condition continues. When programmed in one-go-all-go mode, the detector can only be silenced from the panel.



LEDS AND SOUNDER

The device has one bi-colored LED and an 85 dBA sounder. Refer to the following table for operation of these features.



- [A] – Test Button
- [B] – Red/Yellow LED
- [C] – Green LED

LED and Sounder Indication Table

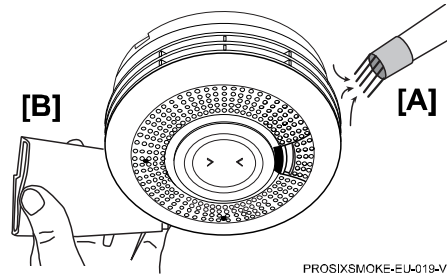
Normal Operation	Action	Green LED	Red LED	Yellow LED	Sounder	Reaction
Power Up	Pull Battery Tab	1 Flash	1 Flash	1 Flash	Off	
Enrollment into System	Program into Control	Rapid flashing up to 30 seconds, Then on 3 seconds	Off	Off	Single Chirp	Install into system
Delete from System	Delete from Control	Rapid flashing for 5 seconds	Off	Off	Off	Uninstall from system
Processing Control Queries		Slow flashing	Off	Off	Off	
Tamper	Remove from base	Slow flashing 10 minutes	Off	Off	Off	
Standby - Normal		1 flash every 60 seconds	Off	Off	Off	
Sensing Smoke	Smoke Condition	Off	Rapid flashing	Off	Temporal 3	Evacuate Premises
One-Go-All-Go	Fire / CO Alarm from Control	Off	Off	Off	Fire Temporal 3 / CO Temporal 4	Evacuate Premises
Alarm Hush	Action	Green LED	Red LED	Yellow LED	Sounder	Reaction
Silence Sounding Alarm	Press & Release Button	Off	1 flash every 8 seconds	Off	Off for 10 mins	
Silence Low Battery	Press & Release Button	Off	Off	Off for 12 hours	Beep once per hour for 12 hours	Replace both batteries
Silence Faulty Sensor (only possible once)	Press & Release Button	Off	Off	2 flashes every 48 seconds	Off for 12 hours	Replace unit
Silence End of Life (up to 30 days)	Press & Release Button	Off	Off	Off for 72 hours	Off for 72 hours	Replace unit
Self-Diagnostics	Action	Green LED	Red LED	Yellow LED	Sounder	Reaction
Low Battery	Automatic every 16 minutes	Off	Off	1 flash every 48 seconds	1 beep with 1 flash	Replace both batteries
Faulty Smoke Sensor	Automatic every 16 seconds	Off	Off	2 flashes every 48 seconds	2 beeps with 2 flashes	Replace unit
End of Life	Automatic every 4 hours	Off	Off	3 flashes every 48 seconds	3 beeps with 3 flashes	Replace unit
Maintenance	Automatic every 16 seconds	Off	Off	4 flashes every 48 seconds	Off	Clean unit; see Cleaning section
Test Button	Action	Green LED	Red LED	Yellow LED	Sounder	Reaction
Detector Status Good – Normal Alarm	Press & Hold Button	Off	Rapid flashing	Off	Temporal 3	Release button
Low Battery	Press & Hold Button	Off	Off	1 flash then rapid flashing	1 beep then Temporal 3	Replace both batteries
Faulty Sensor	Press & Hold Button	Off	Off	2 flashes then rapid flashing	2 beeps only	Replace unit
End of Life	Press & Hold Button	Off	Off	3 flashes then rapid flashing	3 beeps then Temporal 3	Replace unit
Maintenance	Press & Hold Button	Off	Off	4 flashes then rapid flashing	4 beeps then Temporal 3	Clean unit; see Cleaning section
Alarm Memory	Action	Green LED	Red LED	Yellow LED	Sounder	Reaction
24 Hour Memory	After Alarm	Off	2 flashes every 48 seconds for 24 hours	Off	Off	Press & Hold Button for Long Term Memory
Long Term Memory	Press & Hold Button	Off	Rapid flashing	Off	Rapid chirping	Memory is reset after releasing the test button

CLEANING

It is important to always keep the smoke detector in proper working condition. As part of the periodic maintenance, the detector should be cleaned regularly.

Note: To prevent unwanted alarms, notify the Central Station that the smoke detector system is undergoing maintenance before cleaning the detector.

1. Use a soft bristle brush or the brush attachment of a vacuum cleaner to remove dust and cobwebs from the side vents where the smoke enters **[A]**.
2. Using a damp cloth, wipe the cover and side vents and dry thoroughly **[B]**.



PROSIXSMOKE-EU-019-V0

BATTERY REPLACEMENT

When the battery power is low, and replacement is necessary, the smoke detector will “beep” and the yellow light will flash at the same time about every 48 seconds for at least 30 days. The battery must then be replaced. Also, replace the battery if the alarm does not sound when the test button is pressed. When you replace the battery, you must press the test button to verify that the alarm is functioning correctly.

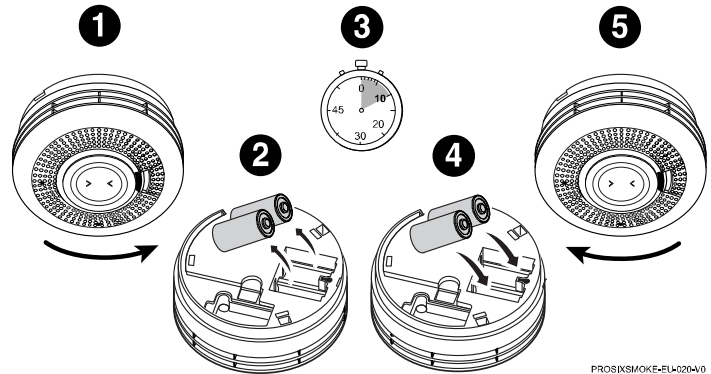
Note: If installed, remove the tamper-proof screw.

1. Twist the front cover counterclockwise and separate the cover from the mounting bracket.
2. Remove two batteries.
3. Wait 10 seconds.
4. Insert two new batteries.

NOTE: See the **Specifications** section for recommended replacement batteries. Do not mix old and new batteries, battery types, or manufacturers.

5. Reattach to the detector to the mounting plate.

BATTERY CAUTION: Risk of fire, explosion, and burns. Do not recharge, disassemble, heat above 55° C, or incinerate. Dispose of used batteries properly. Keep away from children.



PROSIXSMOKE-EU-020-V0

SPECIFICATIONS

Batteries: Two 3V Lithium
 • EVE CR123A
 • Panasonic CR123A

RF Frequency: 2.4GHz

Tamper: Cover

Sounder: 85 dBa @ 3.0m

Operating Temperature: -10° to +55° C

Relative Humidity: 95% max. non-condensing

Maximum Spacing: 15.2 x 15.2 m

Dimensions (mm) / Weight: 120 (D) x 46 (H) / 205 g

Material: ABS Plastic



(XXXX-XXXXXX)
www.cnpp.com
www.marque-nf.com



The product should not be disposed of with other household waste. Check for the nearest authorized collection centers or authorized recyclers. The correct disposal of end-of-life equipment will help prevent potential negative consequences for the environment and human health.

NOTE: Smoke detectors are not to be used with detector guards unless the combination is evaluated and found suitable for that purpose.

This system must be checked by a qualified technician at least once every year.

Any attempt to reverse-engineer this device by decoding proprietary protocols, de-compiling firmware, or any similar actions is strictly prohibited.

REFER TO THE INSTALLATION INSTRUCTIONS FOR THE CONTROL WITH WHICH THIS DEVICE IS USED, FOR DETAILS REGARDING LIMITATIONS OF THE ENTIRE ALARM SYSTEM

SUPPORT & WARRANTY INFORMATION

For the latest documentation, warranty, and support, please go to: www.resideo.com

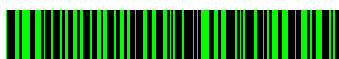


Sécurité Communications SAS (SECOM)
 1198, Avenue du Docteur Maurice Donat
 06250 Mougins - FRANCE



Ademco 1 Ltd., 200 Berkshire Place
 Winnersh Triangle, Berkshire,
 RG41 5RD – UNITED KINGDOM

PROSIXSMOKE-EU



R800-26479B 02/22 Rev B

resideo

© 2022 Resideo Technologies, Inc.
www.resideo.com